

1:600 SCALE STARSHIP

Photoetch Set

P/N: PGX157

PGMS
ParaGrafix™
Modeling Systems

ParaGrafix states that our use of the trademarked terms listed below in our product descriptions constitutes fair use and nominative use and is in no way to offer confusion that ParaGrafix and any of the following noted trademark holders are related companies, nor do we state that we are endorsed by these trademark holders. We are an AFTERMARKET company acting in GOOD FAITH in providing high quality products to loyal customers who have already purchased products related to these trademarks. ParaGrafix is actually providing these trademark holders a venue of free advertising and indirectly provide these trademark holders with more sales leads. Star Trek is a trademark of Paramount Pictures Corporation. Revell is the registered trademark of Revell GMBH & Co.

INTRODUCTION

Thank you for purchasing ParaGrafix's photoetched enhancement set for the Revell 1:600 scale refit starship. We have made every effort to ensure that these parts can be used successfully by a modeler of modest experience, but there may be items that require advanced modeling techniques. For a basic primer on the use of photoetch, please visit <http://www.paragrafix.biz/instructions.asp>, <http://www.paragrafix.biz/video-instructions-1.asp>, and other resources available on the web.

Materials

In addition to the photoetch, you will also need scissors or a knife* to remove individual pieces from the main fret, a file to remove material left from cutting, and super glue (aka CA or cyanoacrylate). Additionally, to fold some pieces, you will need a pair of razor blades** or a specialty tool such as an Etchmate 3C from Mission Models.

* We prefer a #17 Xacto chisel blade and a smooth glass or tile cutting board.

** Extreme care must be taken when using razor blades. Risk of serious injury.

Key

Kit part (plastic): 1

Photoetched part: 1

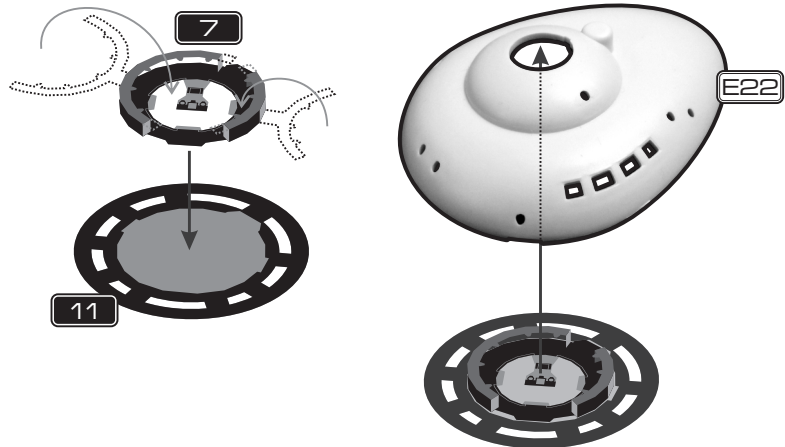
BRIDGE

Kit instructions step 3

NOTE: Install clear parts in kit step 3 before attaching the bridge.

Fold etch part 7 as shown so that the "wings" form the main consoles. (Note that fold arrows are not shown for the ends of the consoles, but they need to be folded as well. Then attach to part 11, and install in kit part E22.

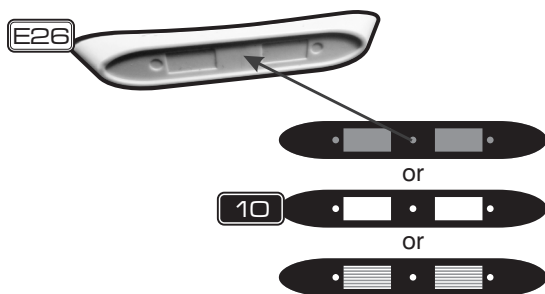
TIP: You can either line up the turbolift door with the elevator shaft on kit part E22, or have the main viewer facing directly forward.



IMPULSE ENGINE

Kit instructions step 6

Select the version of etch part 10 that you would like to use. If using the open or grilled version for lighting, cut a hole in kit part E26 to allow light through.

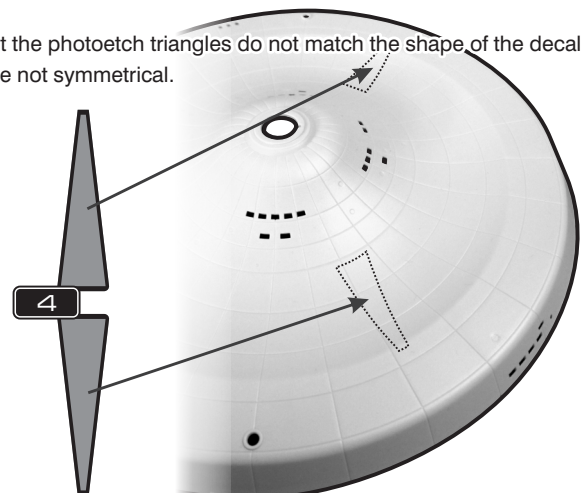


PRIMARY HULL "TRIANGLES"

Kit instructions step 1

TIP: Anneal and prebend etch parts 4 before applying for a stronger bond.

Note that the photoetch triangles do not match the shape of the decals, which are not symmetrical.

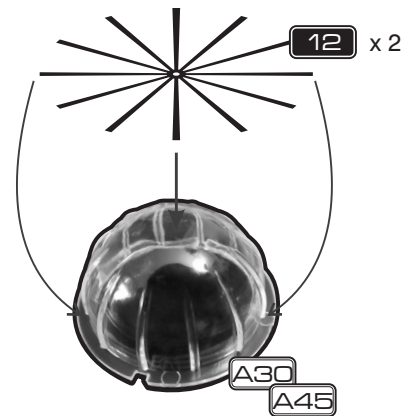


BUSSARD COLLECTOR ROTORS

Kit instructions steps 8 & 14

TIP: Anneal the rotors (etch parts 12) before bending them to shape to help ensure a strong bond.

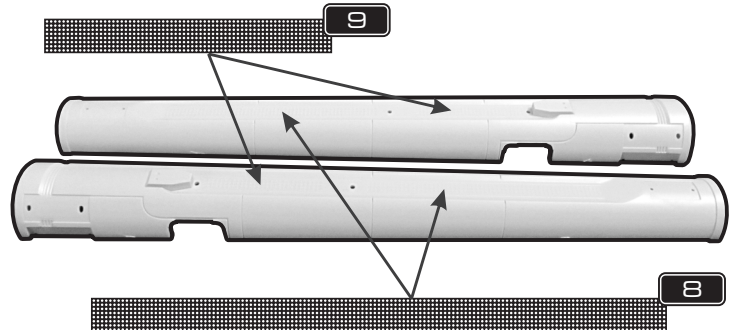
Attach both etch parts 12 to kit parts A30 & A45, warping (pardon the pun) rotors down so that they fit snugly to the kit part. Note that an axle hole is provided in the etch parts if you wish to omit parts A30/A45 and spin the rotors. (You will need to provide a hub to add strength to the etch parts in this case.)



WARP ENGINE GRILLS

Kit instructions steps 9 and 15

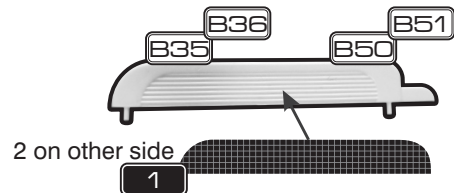
Attach the grills (etch parts 8 and 9) to kit parts B31 and B46 as shown. Note that these grills have through holes so that you can light them if desired.



WARP ENGINE INTERCOOLERS

Kit instructions steps 11 and 17

Attach the grills (etch parts 1 and 2) to the kit's intercoolers (parts B35, B36, B50, and B51) to get the proper grid pattern.



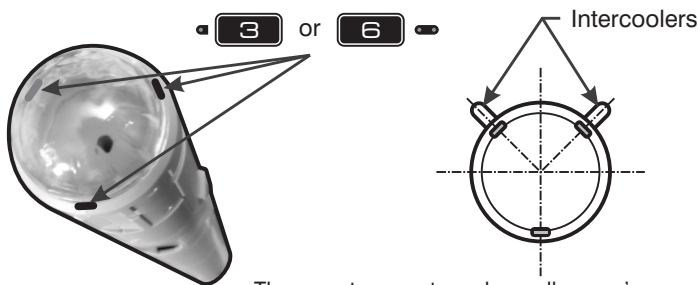
BUSSARD COLLECTOR CLAMPS

Kit instructions steps 13 and 19

You can use either etch parts 3 or 6 to add the clamps to the warp engine assemblies. Parts 3 are more accurate to the production ship, while 6 corresponds to the Smithsonian restoration.

Before attaching parts 6, cut small notches in the 3 locations shown below, just large enough for 1/2 of part 6 to fit halfway.

Note the orientation of the parts in the diagram to the right.

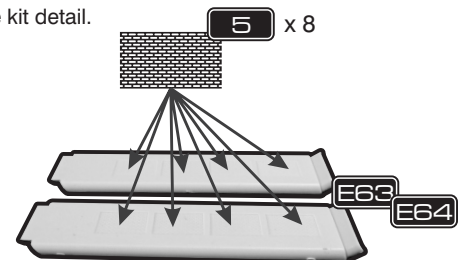


These parts are extremely small, so we've included twice as many as needed.

WARP PYLON GRILLS

Kit instructions step 21

Attach the 8 grills (etch parts 5) to the pylons to cover the kit detail.



SYMBOLS AND DEDICATION PLAQUES

The dedication plaques and Federation and Klingon plaques may be used however you'd like. The plaques are sized to fit on the kit base and contain the proper ships' class type.

PGMS
ParaGrafix
Modeling Systems

148 Rocklawn Ave.
Attleboro MA 02703 USA
+1 508-431-9800
www.ParaGrafix.biz

Special thanks to G for his help in researching this project, and to Marco Scheloske for procuring and shipping the kits from Germany.

Original items copyright © 2011 Paul H. Bodensiek dba ParaGrafix Modeling Systems. All Rights Reserved. ParaGrafix, ParaGrafix Modeling Systems, and PGMS are trademarks of Paul H. Bodensiek.