

Ecto-1A Photoetch Set



PGMS
ParaGrafix™
Modeling Systems

ParaGrafix states that our use of the trademarked terms listed below in our product descriptions constitutes fair use and nominative use and is in no way to offer confusion that ParaGrafix and any of the following noted trademark holders are related companies, nor do we state that we are endorsed by these trademark holders. We are an AFTERMARKET company acting in GOOD FAITH in providing high quality products to loyal customers who have already purchased products related to these trademarks. ParaGrafix is actually providing these trademark holders a venue of free advertising and indirectly provide these trademark holders with more sales leads. Ghostbusters © and ™ Columbia Pictures Industries, Inc. AMT and Round 2 are trademarks of Round 2, LLC.

INTRODUCTION

Thank you for purchasing ParaGrafix's photoetch set for the Ecto-1A kit from AMT. Although we have taken every effort to make this set as simple to use as possible, if you are unfamiliar with using photoetch, you should consider viewing our video how-to guides at: www.paragrafix.biz/video-instructions-1.asp (you will find "Part 1: The Basics" particularly helpful).

For additional reference on the Ecto-1A, check out www.GBfans.com.

Materials

In addition to the photoetch, you will also need scissors or a knife* to remove individual pieces from the main fret, a file to remove material left from cutting, and super glue (aka CA or cyanoacrylate). Additionally, to fold some pieces, you will need a pair of razor blades** or a specialty tool such as PhotoFold, available from ParaGrafix.

* We prefer a #17 Xacto chisel blade.

** Extreme care must be taken when using razor blades. Risk of serious injury.

Raised Detail



Where applicable, these instructions note an area where the raised kit detail must be removed. The symbol at left will show you where this needs to happen. This may be done in whatever way you are most comfortable: sanding, filing, chiseling. Note that in most cases the surface does not need to be perfectly smooth as the photoetched part will replace the "lost" kit detail.

Lighting Options

Unless otherwise noted, you can prep areas for lighting by removing plastic from areas where there are through holes in the photoetch. You can then backlight the photoetch. For best results, we suggest using Micro Kristal Klear from Microscale Industries (www.microscale.com) to fill the through holes. Alternatively, MKK can be tinted with food coloring for different colored lights.

MKK also makes an excellent adhesive to hold the backlight films in place.

Key

- Kit part (plastic): **1**
- Photoetched part: **1**
- Backlight film: **A**

Installation Parts Order

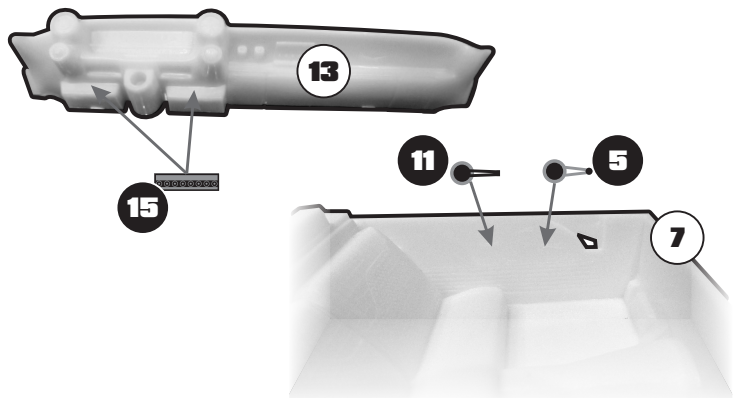
The installation steps are not in any particular order. You can complete them as you see fit to complement your kit construction order.

Front Seats Switch Plates

Attach the switch plates (etch parts 15) next to the steering wheel shaft.

Door and Window Handles

Mount the door and window handles (etch parts 11 and 5 respectively) on both sides as shown.



Cargo Area



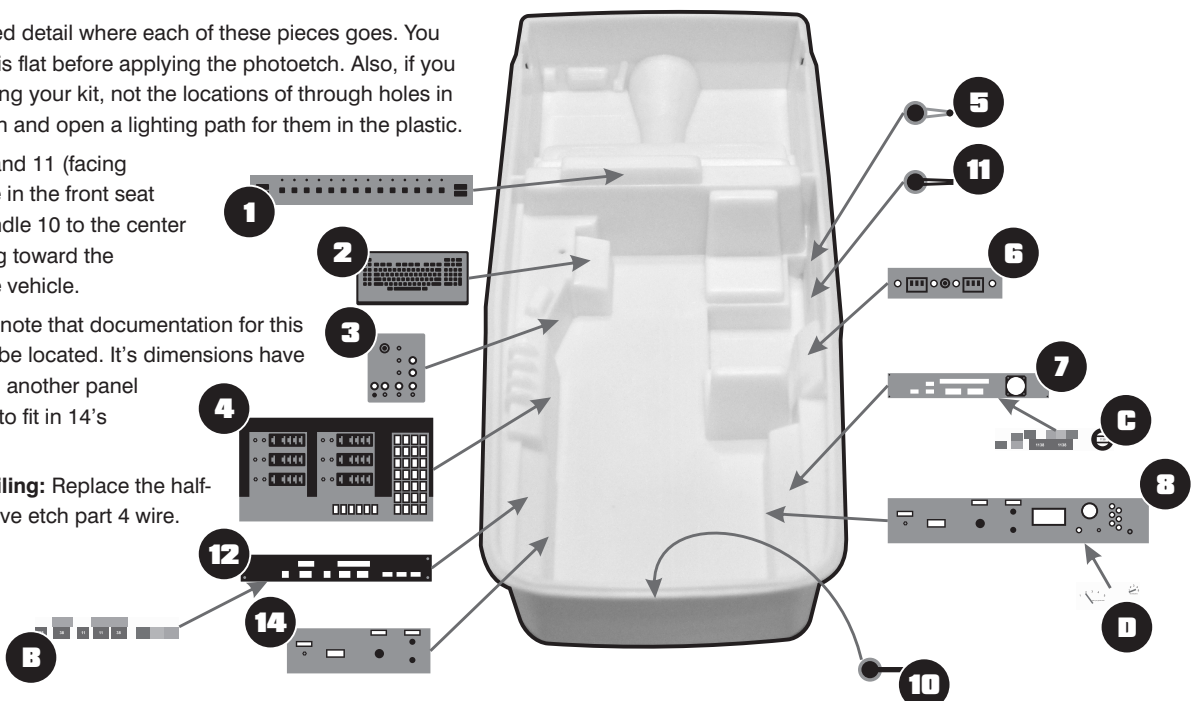
There is raised detail where each of these pieces goes. You should file this flat before applying the photoetch. Also, if you plan on lighting your kit, note the locations of through holes in the photoetch and open a lighting path for them in the plastic.

Add door handles 5 and 11 (facing forward) as was done in the front seat area. Attach door handle 10 to the center of the rear door facing toward the passenger side of the vehicle.

Etch Part 14: Please note that documentation for this control panel cannot be located. It's dimensions have been determined and another panel design was modified to fit in 14's location.



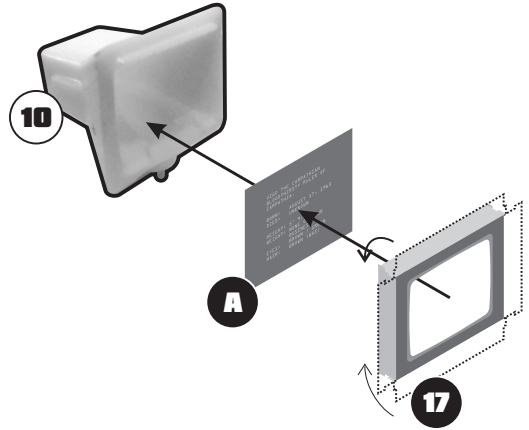
Über-detailing: Replace the half-circles above etch part 4 wire.




Computer Monitor

Fold the computer monitor (etch part 17) to form a replacement for kit part 11. Mount backlight film A to the back side of 17 and then attach to kit part 10.

If you will be lighting the monitor, make sure that the seams on part 17 are filled to block the light.

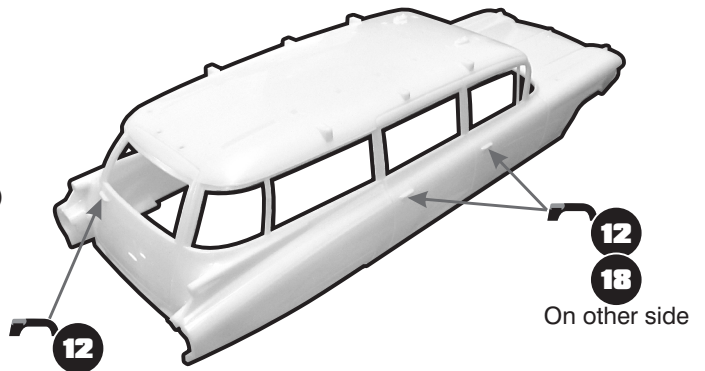


Exterior Door Handles

 Remove the kit handles from all 5 doors (including the tailgate) and replace with etch parts 12 (passenger side doors and tailgate) and 16 (drivers' side).


License Plates

Replace kit decals 11 and/or 31 with the photoetched license plates (22) in assembly step 7. Note that these do not match the kit decals.

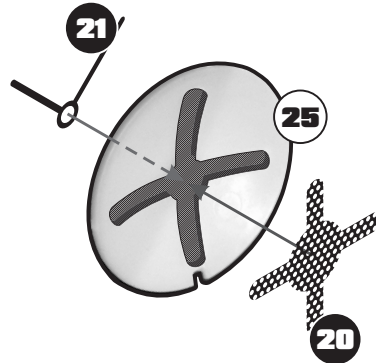


Dish Antenna

Form the dish antenna grid and support (etch parts 20 and 21 respectively) over the outside of dish (kit part 25) before proceeding.

 Cut through and remove all of the raised detail on the dish antenna (including the round ball). Be careful - the dish is not very delicate.


Mount the grid to the inside (concave) side of the dish the support to the outside (convex), then assemble with kit part 26 per the kit's instructions.

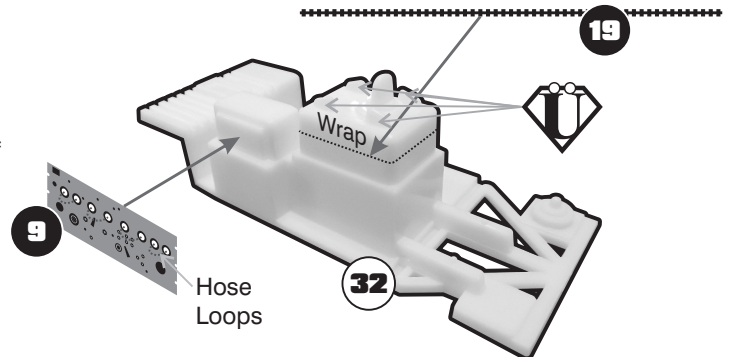


Equipment Rack

Mount the switch panel (9) in place of kit part 30. Use 1/32" (0.8mm) rod (not included) to replicate the hosing loops.

Wrap strap 19 around the middle of the upper cargo container.

 **Über-detailing:** Remove the trapezoidal handles on top of the cargo container and replace with thin wire "handles".

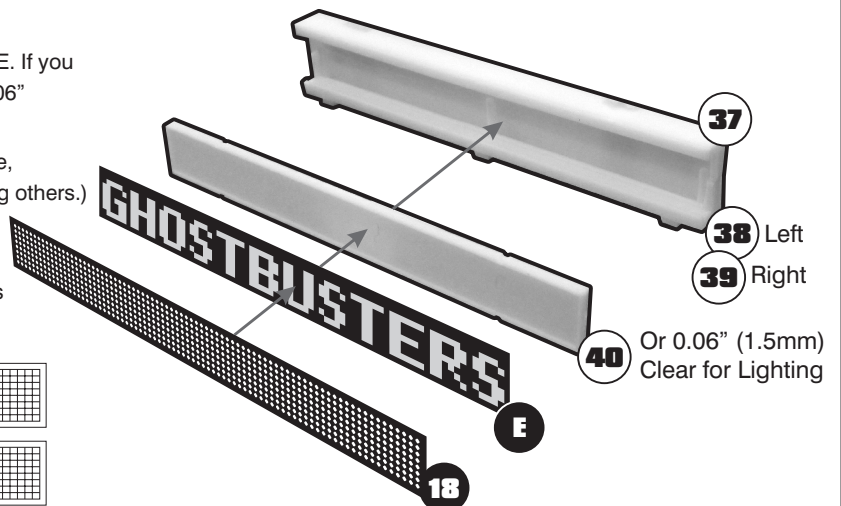
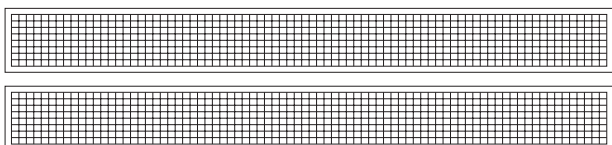


LED Sign

Sandwich etch parts 18 with your choice of backlight films E. If you are planning to light* your sign, replace kit parts 40 with 0.06" (1.5mm) clear plastic.

* Good options for lighting include: electroluminescent tape, electroluminescent wire, and side-firing optic fibers. (Among others.)

If you want to make your own phrases, use the templates below (feel free to photocopy them) to mark out your wording, the drop colored Micro Krystal Klear into the holes of etch parts 18.



PGMS
ParaGrafix™
Modeling Systems

148 Rocklawn Ave.
Attleboro MA 02703 USA
+1 508-431-9800
www.ParaGrafix.biz

Thank you to the members of GBfans.com for their assistance in determining the details of this PE set.

Copyright © 2012 Paul H. Bodensiek. All rights reserved. ParaGrafix™ and PGMS™ are TM Paul H. Bodensiek.