

BATTLESTAR PEGASUS LANDING BAY PHOTOETCH SET



ParaGrafix states that our use of the trademarked terms listed below in our product descriptions constitutes fair use and nominative use and is in no way to offer confusion that ParaGrafix and any of the following noted trademark holders are related companies, nor do we state that we are endorsed by these trademark holders. We are an AFTERMARKET company acting in GOOD FAITH in providing high quality products to loyal customers who have already purchased products related to these trademarks. ParaGrafix is actually providing these trademark holders a venue of free advertising and indirectly provide these trademark holders with more sales leads. Battlestar Galactica® is a registered Trademark of Universal City Studios, LLLP LTD LIAB CO. All Rights Reserved.

INTRODUCTION

Thank you for purchasing ParaGrafix's landing bay inserts for Moebius Models Battlestar Pegasus kit. These inserts allow you to add "through-deck" landing bays just like the "real" battlestar incorporates. Only minor modifications to the kit are necessary (removing some molded in bulkheads and pins, filling some holes), so this set is applicable for modelers of moderate experience.

If you are unfamiliar with working with photoetched parts, please see our video guides at <http://www.paragrafix.biz/video-instructions-1.asp>

Materials

In addition to the photoetch, you will also need scissors or a knife* to remove individual pieces from the main fret, a file to remove material left from cutting, and super glue (aka CA or cyanoacrylate). Additionally, to fold some pieces, you may need a pair of razor blades** or a specialty tool such as PhotoFold, available from ParaGrafix.

* We prefer a #17 Xacto chisel blade.

** Extreme care must be taken when using razor blades. Risk of serious injury.

Raised Detail

Where applicable, these instructions note an area where the raised kit detail must be removed. This may be done in whatever way you are most comfortable: sanding, filing, chiseling. Note that in most cases the surface does not need to be perfectly smooth as the photoetched part will replace the "lost" kit detail.


Lighting Options

Holes are provided in the photoetch simulating lighting fixtures in the ceilings and walls. The easiest way to light the bays is to incorporate strips of ParaGrafix's Easy LED.

Painting Parts

You will find it easier to paint the photoetch parts before folding or installing them. Some minor touching up might be necessary after folding.

Key

Kit part (plastic): 

Photoetched part: 

Upper Landing Bays

Remove Bulkheads and Locator Pins

As shown at right, remove the bulkheads and locator pins from kit parts 20 through 23. Also, remove the upper portions of the mounting points circled at right, and the part numbers from 22 and 23

DO NOT remove the locator pins in the "arms".

Attach kit parts 28 and 29 to parts 22 and 23, respectively (not shown), and snip the locate pins off flush with surface of 22 and 23.

Fill in the holes and ejector pin marks on parts 22 and 23 – you want the surface to be smooth as this will be the visible deck of the landing bays.

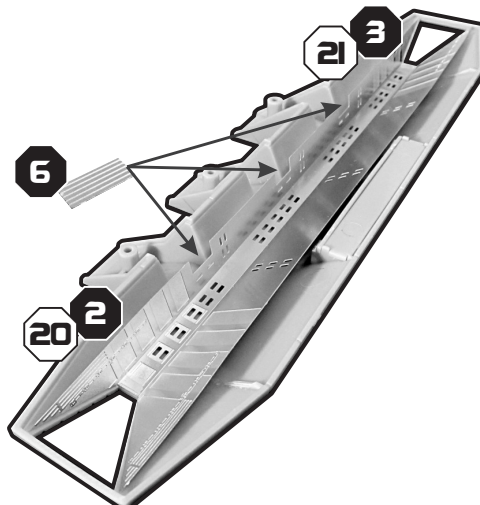
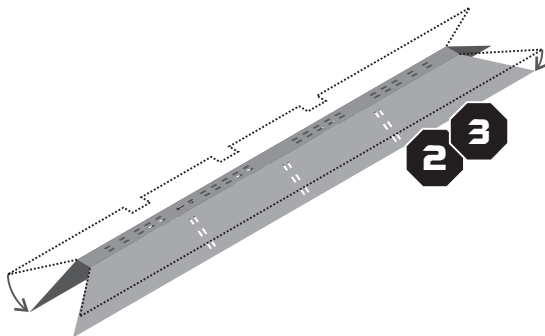
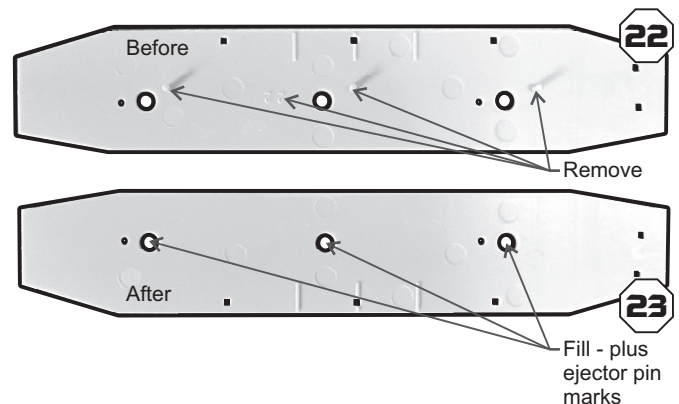
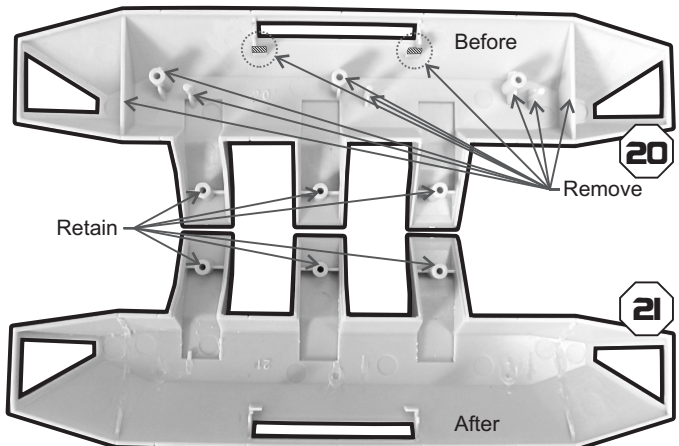
TIP: You can use some sheet plastic on the back-side of the parts to make a backing to hold your putty of choice in place.

Attach Etch

Fold etch pieces 2 and 3 as shown below and mount to kit parts 20 and 21 with the arrow facing forward. The "door" openings in the etch parts roughly line up with the arms.

OPTIONAL: Attach "garage" doors (6) as shown below.

NOTE: Etch part 3 goes with kit part 21, while etch part 2 matches kit part 20.



Lower Landing Bays

Remove Bulkheads and Locator Pins

As shown at right, remove the bulkheads and locator pins from kit parts 24 through 27. Also remove the part numbers from parts 24 and 25.

DO NOT remove the locator pins in the "arms".

Fill in the holes and ejector pin marks on parts 24 and 25 – you want the surface to be smooth as this will be the visible deck of the landing bays.

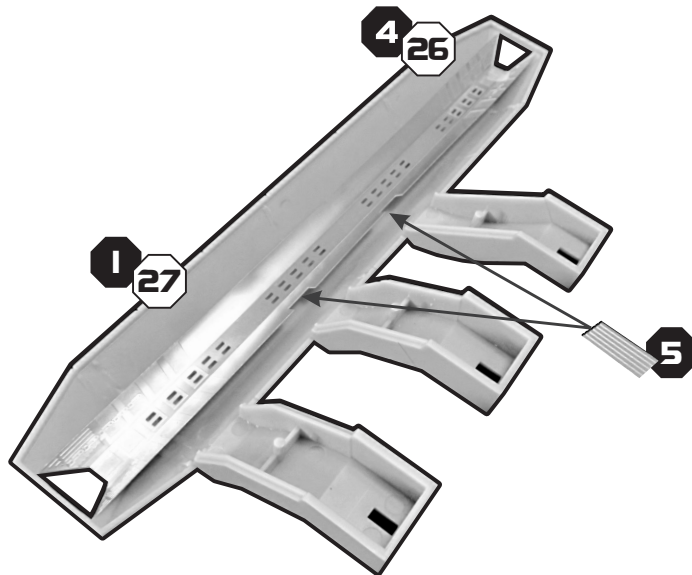
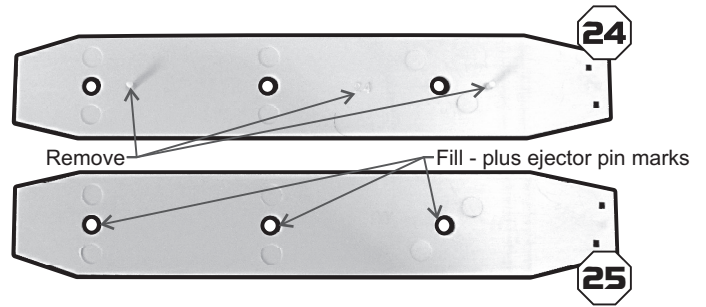
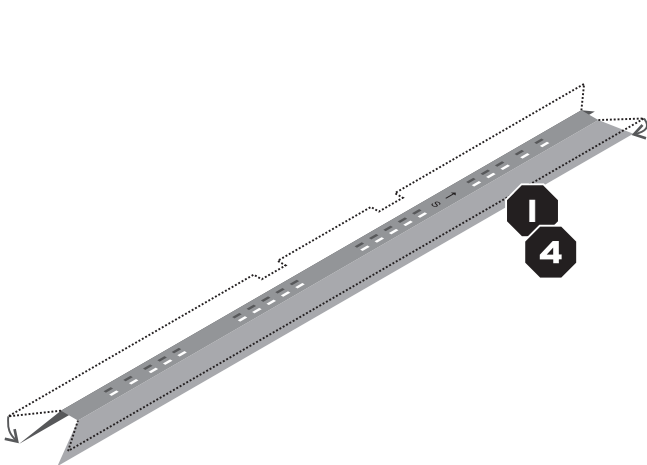
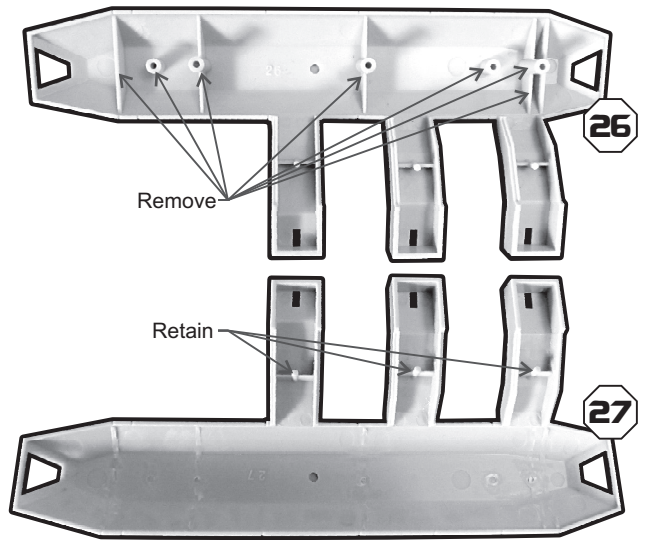
TIP: You can use some sheet plastic on the back-side of the parts to make a backing to hold your putty of choice in place.

Attach Etch

Fold etch pieces 1 and 4 as shown below and mount to kit parts 26 and 27 with the arrow facing forward. The "door" openings in the etch parts roughly line up with 2 of the 3 arms.

OPTIONAL: Attach "garage" doors (6) as shown below.

NOTE: Etch part 1 goes with kit part 27, while etch part 4 matches kit part 26.

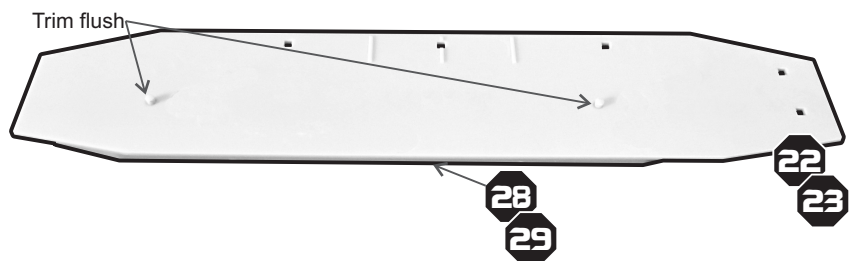


Final Assembly

Final assembly of the landing bays is essentially identical to that outlined in the kit instructions. Before assembly, though, kit parts 28 and 29 must be modified slightly. Assemble parts 28 and 29 with 22 and 23, respectively, then trim off the mounting pins flush to the deck. Fill the holes as needed.

TIP: If you are also using ParaGrafix's Pegasus Exterior Photoetch Set, install etch parts 13 through 17 now.

Now, simply follow the kit directions and complete the assembly of Battlestar Pegasus.



**PARA
GRAFIX™**

148 Rocklawn Ave.
Attleboro MA 02703 USA
+1 508-431-9800
www.ParaGrafix.biz

Thank you to Frank Winspur and Dave Metzner of Moebius Models for making such a great kit, and for their help and encouragement during the development of this add-on set.