

PERFECT GRADE MILLENNIUM FALCON



ParaGrafix states that our use of the trademarked terms listed below in our product descriptions constitutes fair use and nominative use and is in no way to offer confusion that ParaGrafix and any of the following noted trademark holders are related companies, nor do we state that we are endorsed by these trademark holders. We are an AFTERMARKET company acting in GOOD FAITH in providing high quality products to loyal customers who have already purchased products related to these trademarks. ParaGrafix is actually providing these trademark holders a venue of free advertising and indirectly provide these trademark holders with more sales leads.
© & TM 2015 Lucasfilm LTD. © & TM Bandai

INTRODUCTION

Thank you for purchasing ParaGrafix's photoetch for the Perfect Grade Millennium Falcon kit from Bandai. This set is intended for modelers of moderate experience who are experience with photoetched parts.

Please note that these instructions replace some of the kit's instructions for assembling the hold. It is suggested that you familiarize yourself with all aspects of the assembly before proceeding.

Materials

In addition to the photoetch, you will also need scissors or a knife* to remove individual pieces from the main fret, a file to remove material left from cutting, and super glue (a.k.a. CA or cyanoacrylate). Additionally, to fold some pieces, you will need a pair of razor blades** or a specialty tool such as PhotoFold from ParaGrafix.

* We prefer a #17 Xacto chisel blade in combination with a glass cutting board or other, similarly hard cutting surface.

** Extreme care must be taken when using razor blades. Risk of serious injury.

Installation Parts Order

The installation steps are not in any particular order. You can complete them as you see fit to complement your kit construction order.

Optional 3D Printed Parts

The stock kit cockpit depicts the larger version as seen in "The Empire Strikes Back", though the rest of the ship is based on the original five foot miniature constructed for "A New Hope". This photoetch set corrects the cockpit, though it requires many modifications to the kit's parts. To save builders from having to do these modifications, we have created 3D models of the modified parts and uploaded them to Shapeways.

You can find the items in our Shapeways shop: <https://www.shapeways.com/shops/paragrafix> (or scan the QR code at right).



Key

- Kit part (plastic):
- Photoetched part:
- Decal:
- Light panel film:

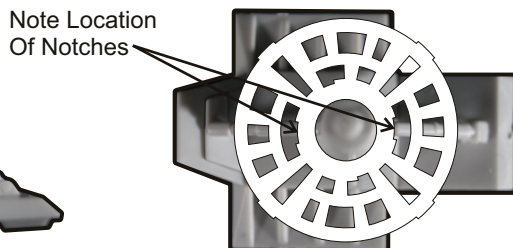
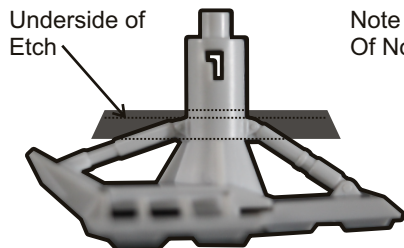
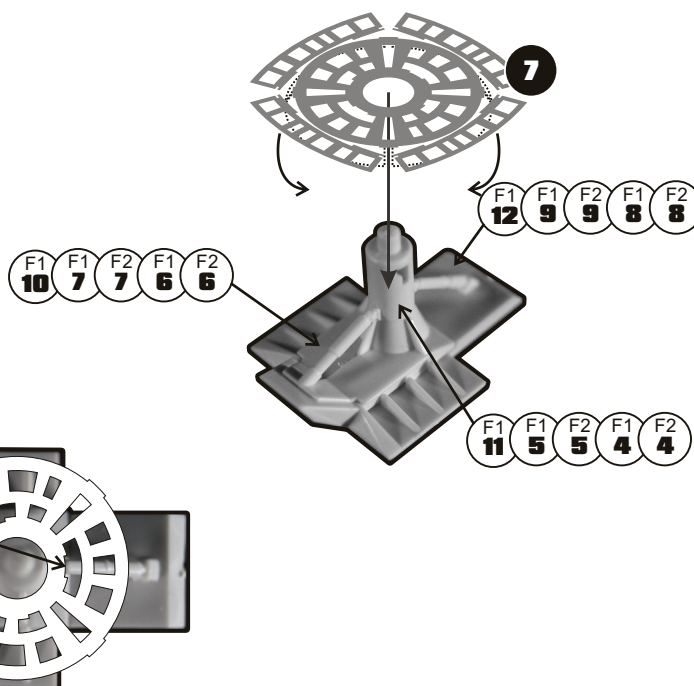
Landing Gear "Pie Plates"

Kit Instructions Page 38 - Repeat 5 Times

Fold all 5 landing gear pie plates (etch parts 7) as shown at right.

Assemble the lower landing gear assemblies*, then slide the pie plates so that they touch the fore and aft angled supports. Glue them in place.

NOTE: Assure that the orientation of the pie plates is as shown below.



COCKPIT: Modification of Kit Parts

Canopy

Remove the raised detail from kit part U-11 or A-4, depending on which version you plan to use.

Cockpit Tub and Main Console

NOTE: You do not need to perform this step if you will be purchasing the ParaGrafix parts from Shapeways.

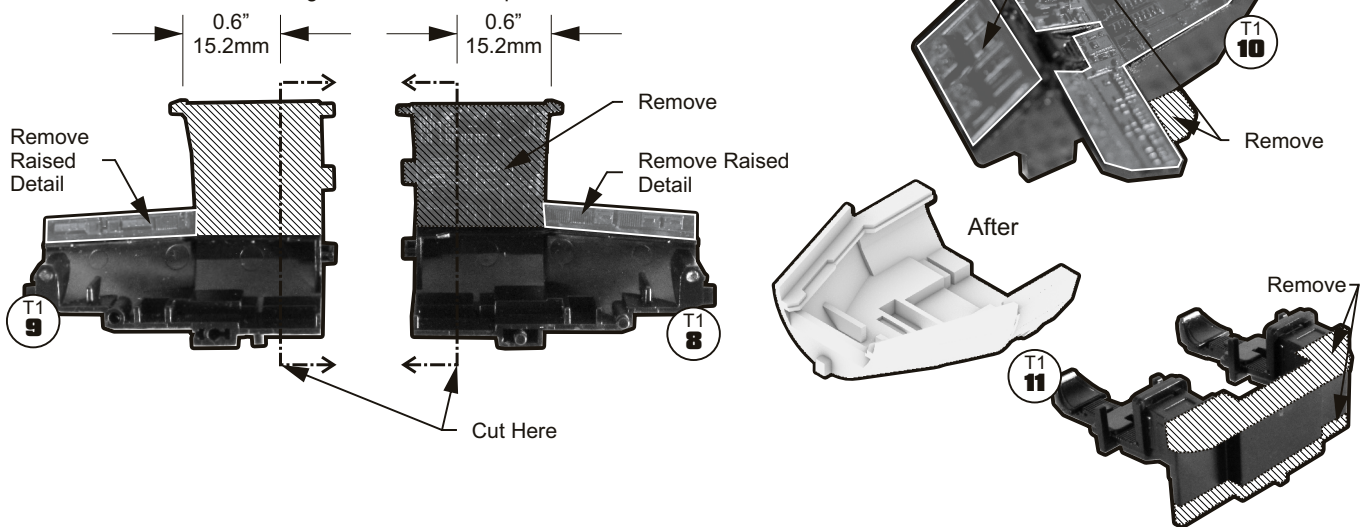
Remove the raised detail where shown on kit parts T1-8, T1-9, and T1-10.

Cut off the side control panels from parts T1-8 and T1-9, clear down to the shelf, then cut the remaining rear portion off so that 0.6" (15.2mm) remains as shown below.

Rear Seats

NOTE: You do not need to perform this step if you will be purchasing the ParaGrafix parts from Shapeways.

Cut off the front of the rear seat (T1-11) platform back to the underside tabs, then cut the backside so that it matches the length of the of the cockpit tub recess.

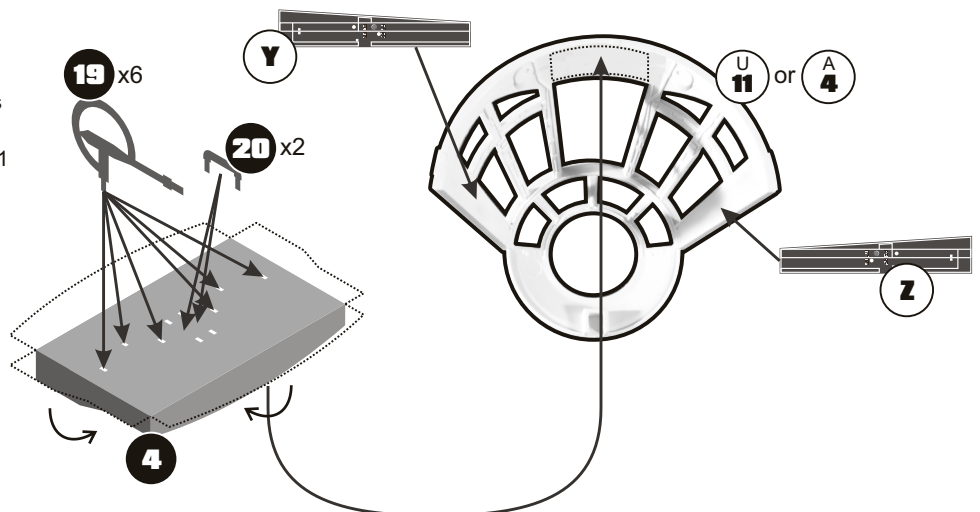


COCKPIT: Canopy

Both Assemblies

Fold etch part 4 as shown, then attach parts 19 (6 times) and 20 (twice). Mount this assembly to the top-rear of the canopy (U-11 or A-4).

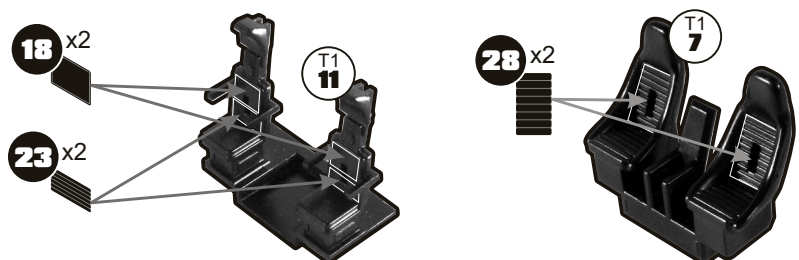
Attach decals Y and Z as shown.



COCKPIT: Seat Cushions

If any of the seats will be unoccupied, you can quickly cover the mounting holes with the etch parts shown at right.

NOTE: If using the ParaGrafix parts from Shapeways, the seats will be removed from their mountings. See later instructions.



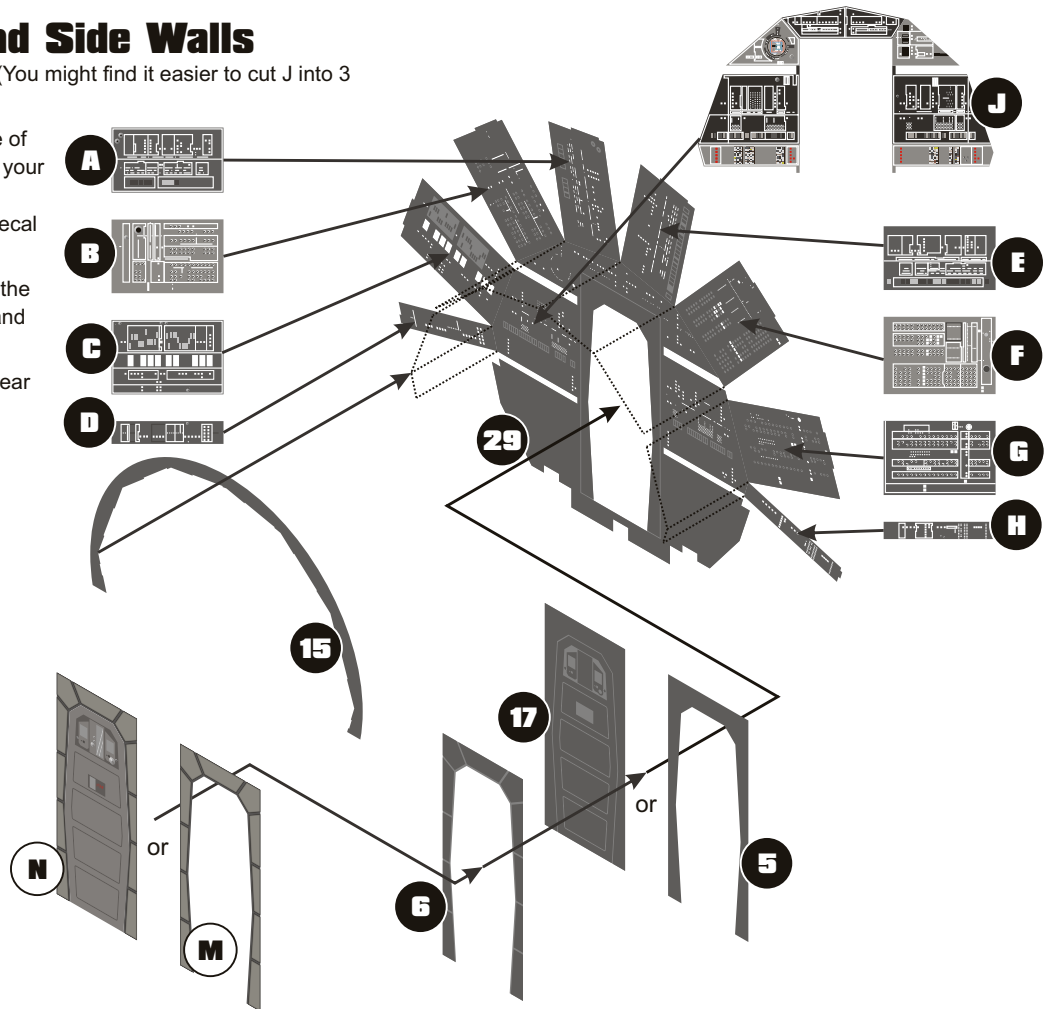
Cockpit: Rear and Side Walls

Apply decals A through H, plus J. (You might find it easier to cut J into 3 parts and apply them separately.)

NOTE: If you will be using the Age of Plastic corridor, or scratchbuilding your own, use etch part 5 and decal N. Otherwise, use etch part 17 and decal M.

Mount the door frame, 6, to either the open door, 5, or closed door, 17, and apply decal M or N, respectively.

Attach the completed door to the rear wall, then fold in all of the "petals". Attach front frame, 15.



SIDEBAR

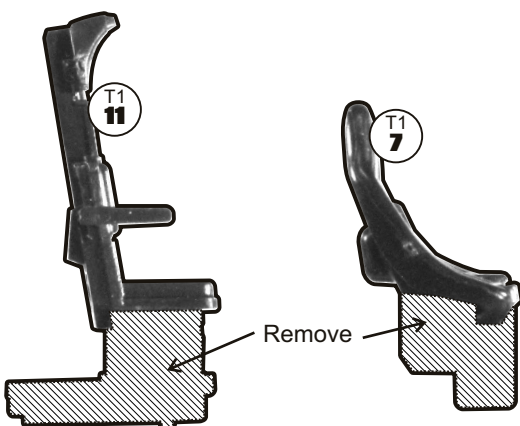
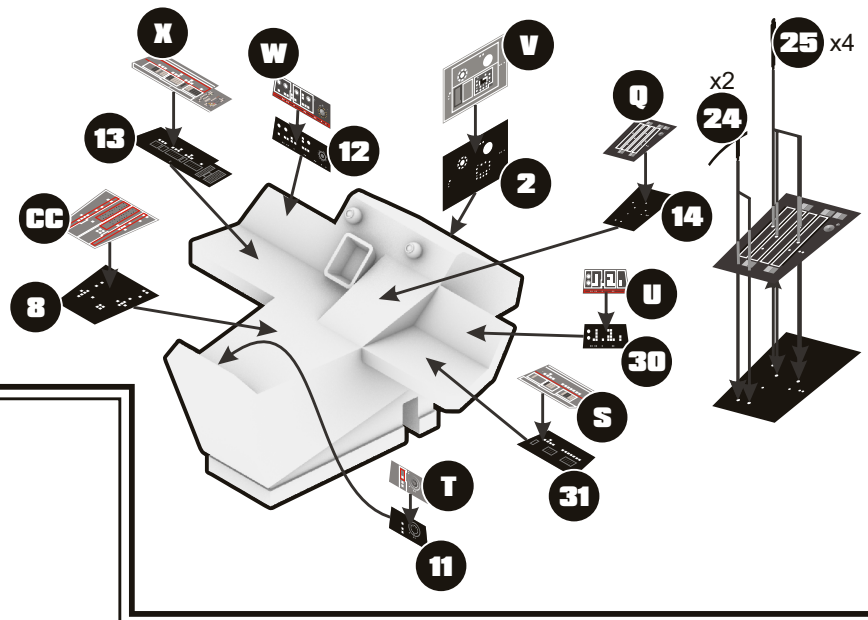
Photoetch part 1 is sized to fit the corridor available on the Shapeways from *Age of Plastic*. It is also useful if you decide to scratchbuild your own corridor.

Cockpit: Center Console

Attach photoetch parts as shown, then apply decals.

NOTE: Etch parts 24 and 25 (see expanded view at right) may be placed at varying angles. Note that they line up with the holes in the photoetched part.

NOTE: The ParaGrafix Shapeways part is shown, but the method is the same if using kit part T1-10.



Cockpit: Modify Chairs for Shapeways Parts

If you're using the ParaGrafix cockpit tub from Shapeways, you'll need to remove the base from all four of the cockpit's chairs.

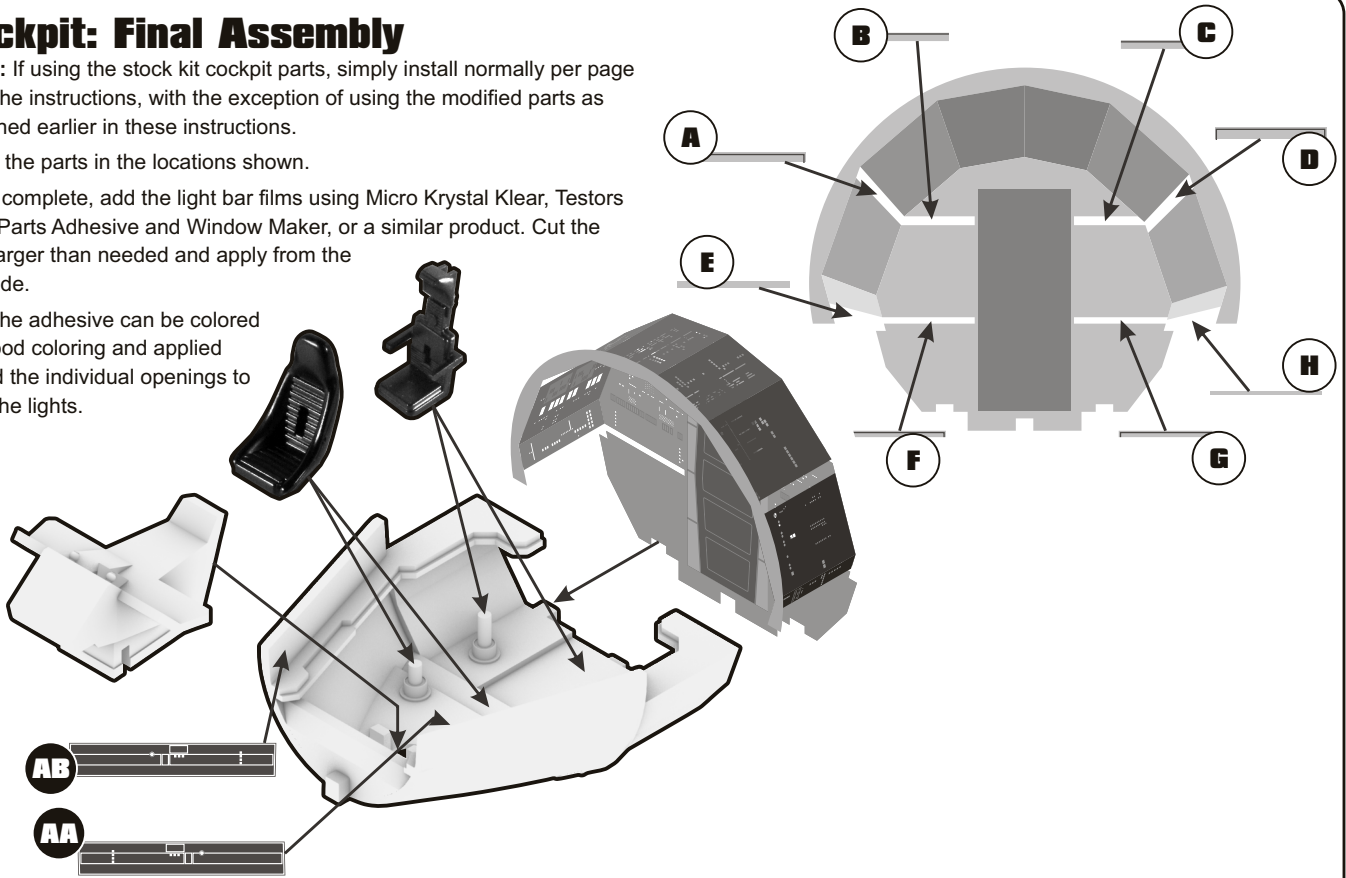
Cockpit: Final Assembly

NOTE: If using the stock kit cockpit parts, simply install normally per page 10 of the instructions, with the exception of using the modified parts as explained earlier in these instructions.

Mount the parts in the locations shown.

When complete, add the light bar films using Micro Krystal Klear, Testors Clear Parts Adhesive and Window Maker, or a similar product. Cut the films larger than needed and apply from the backside.

TIP: The adhesive can be colored with food coloring and applied behind the individual openings to color the lights.

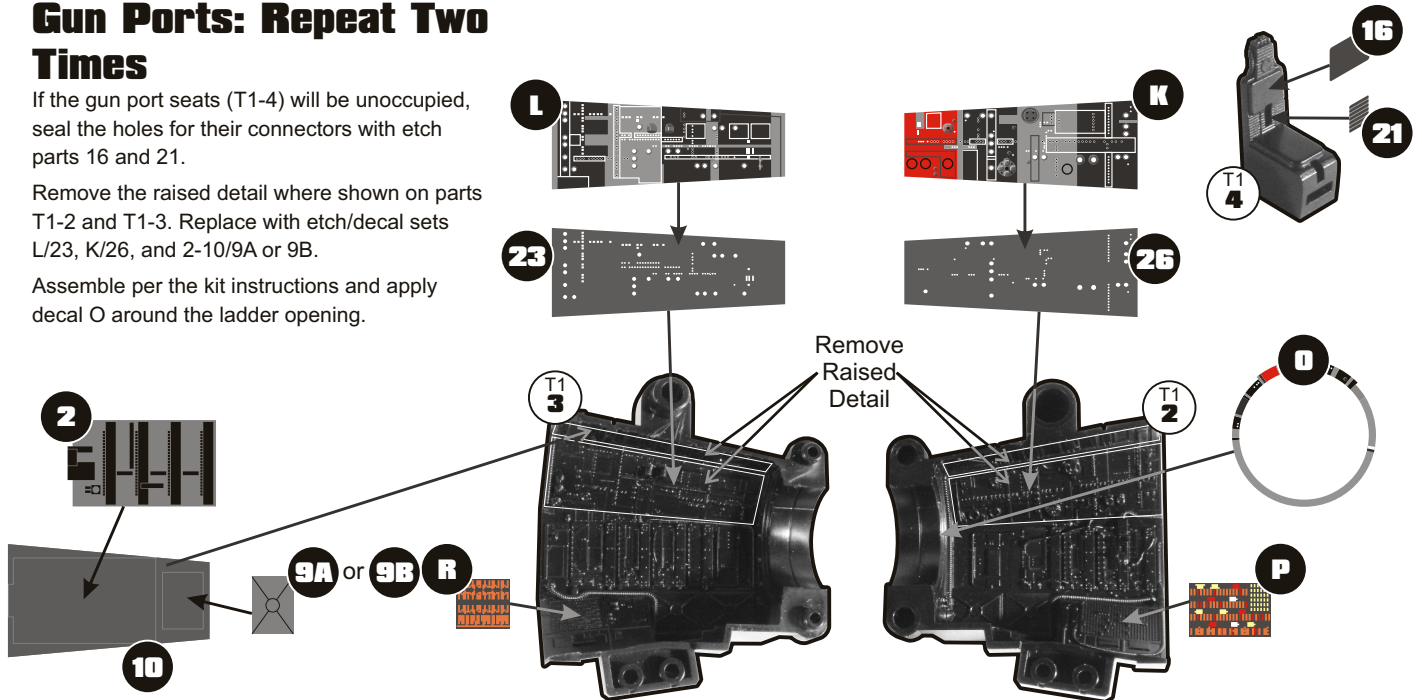


Gun Ports: Repeat Two Times

If the gun port seats (T1-4) will be unoccupied, seal the holes for their connectors with etch parts 16 and 21.

Remove the raised detail where shown on parts T1-2 and T1-3. Replace with etch/decal sets L/23, K/26, and 2-10/9A or 9B.

Assemble per the kit instructions and apply decal O around the ladder opening.



Attleboro MA 02703 USA
+1 508-431-9800
www.ParaGrafix.biz

Special thanks to NK Guy for his help with troubleshooting the 3D parts for this set.