

THE CHARIOT™ PHOTOETCH SET

PARA
GRAFIX™
PGX226

IRWIN ALLEN'S
LOST
IN
SPACE®

INTRODUCTION

Thank you for purchasing ParaGrafix's photoetch set for Doll & Hobby's rerelease of the classic Cyclops and the Chariot kit. We tried to not do anything that takes away from the charm of this kit that was originally produced by Aurora. To that end, we have not made any changes to the overall shape or proportions of the kit – we have merely enhanced some of the details to give the Chariot a greater sense of scale.

Materials

In addition to the photoetch, you will also need scissors or a knife* to remove individual pieces from the main fret, a file to remove material left from cutting, and super glue (aka CA or cyanoacrylate). Additionally, to fold some pieces, you will need a pair of razor blades** or a specialty tool such as PhotoFold from ParaGrafix.

* We prefer a #17 Xacto chisel blade.

** Extreme care must be taken when using razor blades. Risk of serious injury.

Raised Detail

Each part of these instructions notes an area where the raised kit detail must be removed. This may be done in whatever way you are most comfortable: sanding, filing, chiseling.

Installation Parts Order

We suggest building the main body of the Chariot, leaving off the ladders, radar dish, and cargo platform.

Key

Kit part (plastic): ①

Photoetched part: ①

Front Bumpers, Door Handles and Radiator Grills

Remove Kit Details

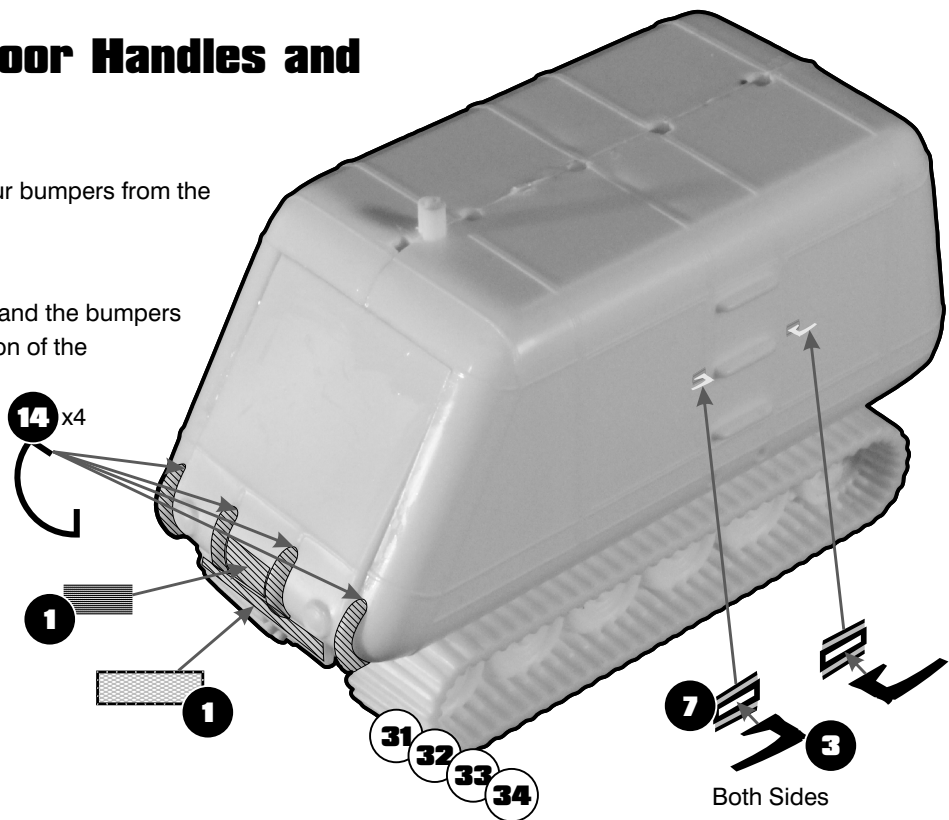
Remove the two radiator grills and four bumpers from the front of the Chariot.

Replace Details

Add the radiator grills (parts 1 and 2) and the bumpers (14) as shown. Note that the orientation of the bumpers.

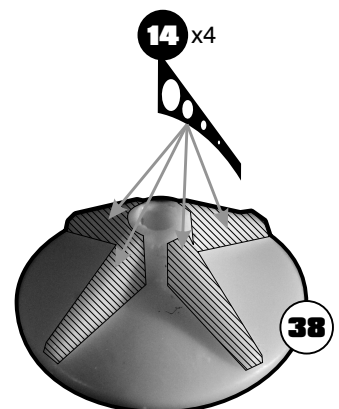
Add Door Handles

Mount the handles (3) and base plates (7) to each of the four doors. They are located half-way up each door.



Scanner

Remove the four supports from kit part 38 and replace with the etch supports, 14.



Cargo Platform

Prepare

Fill the holes where kit part 35 would go.

Cut two strips of the included plastic approximately 9/16" (14.2mm) and glue them to the Chariot's roof.

Cut 1/8" from the bottom of the solar scope arm (40).

Assembly

Fold etch parts 1 and 11 as shown. Attach part 11 to part 1 (note that slightly fatter tabs go to the left and right), then mount the cargo platform (called the solar batteries in the instructions) on top of the strip. Finally, mount the solar scope as shown.

Trailer Hitch

Mount the trailer hitch (12) to the center of the drive train area under the main body.

Ladders and Bumpers

Prepare

Cut off the kit ladders and bumpers and shown at right. Fill the 4 holes for the boarding ladder (2 on each side).

Fold the boarding ladders (10) and brackets (5 & 6) as shown.

Assembly

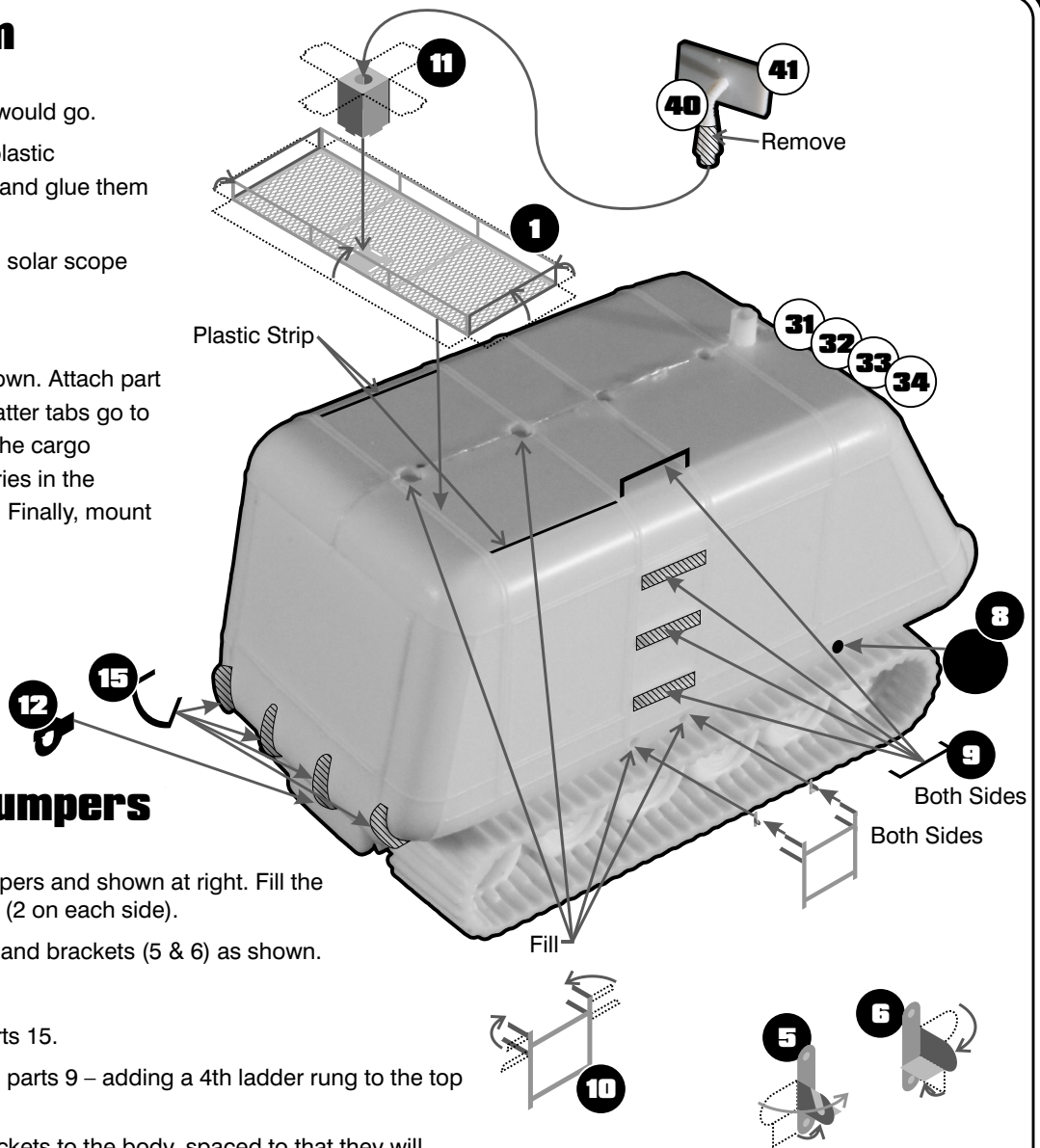
Replace bumpers with etch parts 15.

Replace ladder rungs with etch parts 9 – adding a 4th ladder rung to the top of the body, sitting vertically.

Attach the boarding ladder brackets to the body, spaced so that they will support the ladder itself. Mount the ladder to the brackets.

Fuel Cap

Adhere the fuel cap (8) to the lower portion of the body as shown.



Logo

Though you are, of course, free to use the logo art any way you'd like, we have sized it so that you can use it to replace the block lettering on the face of the rock. Simply remove the existing text and glue the logo pieces in place.

(You may want to anneal the letters before applying them so that they conform to the shape of the rocks. You can find information on annealing here: www.bit.ly/2MYHbwq "Working with Photoetch Part 4: Annealing".)



IRWIN ALLEN'S
LOST IN SPACE®



Thank you to Steve Iverson of Doll & Hobby GA for making a preproduction kit available for the development of this set, as well as the cover artwork for use in our product label.

**PARA
GRAFIX**™

Attleboro MA 02703 USA
+1 508-431-9800
www.ParaGrafix.biz

IRWIN ALLEN'S
**LOST
IN
SPACE**®

THE FANTASY WORLDS
OF IRWIN ALLEN®

**DOLL
& HOBBY** GA

"Lost in Space"® is © Legend Pictures, LLC. Licensed by Synthesis Entertainment. All Rights Reserved.

"The Fantasy Worlds of Irwin Allen" © is a registered trademark of Synthesis Entertainment. All Rights Reserved.

"Doll & Hobby GA"™ is a trademark of Doll and Hobby Georgia LLC. All Rights Reserved.

"ParaGrafix"™ is a trademark of Paul H. Bodensiek dba ParaGrafix. All Rights Reserved.